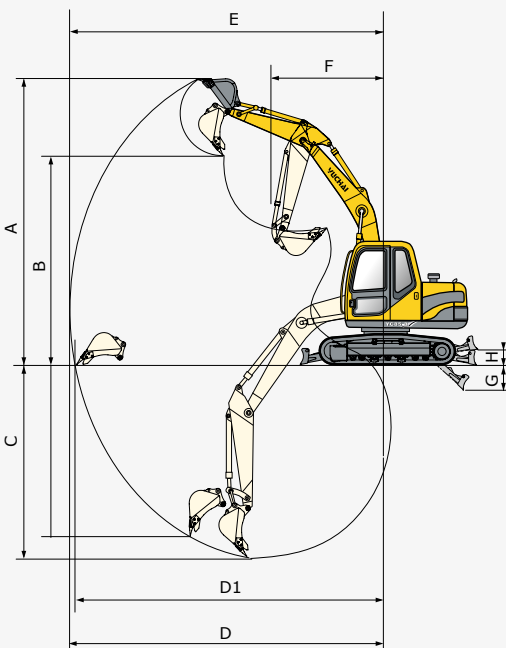
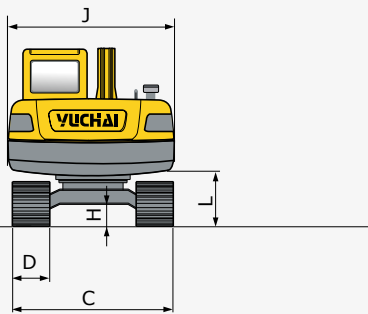
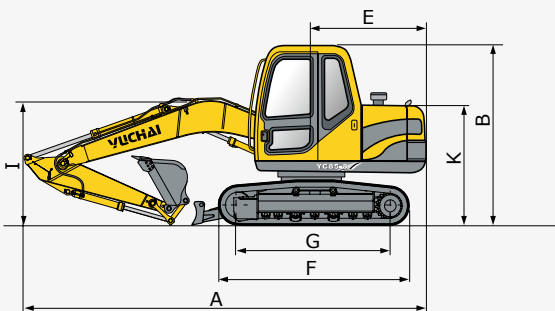


# YC85-8



- ⊙ KYB hydraulic system works reliably and efficiently
- ⊙ the proven low-noise engine boosts power and speed
- ⊙ standard equipment with steel crawler, optionally also available with rubber crawler



## 1. Dimension parameters

	Description	Unit	YC85-8
	Operating weight	kg	8,100
	Standard bucket capacity	m <sup>3</sup>	0.32
	Engine model	KUBOTA V3800DI-T	
	Engine power	kW/min <sup>-1</sup>	61.6/2,200
	Operation hydraulic pressure	Mpa	27.4
<b>A</b>	Machine length	mm	6,425
<b>B</b>	Machine height	mm	2,595
<b>C</b>	Overall width	mm	2,090
<b>D</b>	Crawler width	mm	450
<b>E</b>	Platform slewing radius	mm	1,830
<b>F</b>	Crawler length	mm	2,784
<b>G</b>	Wheel base	mm	2,200
<b>H</b>	min. ground clearance	mm	380
<b>I</b>	Overall height	mm	2,488
<b>J</b>	Width of platform	mm	2,090
<b>K</b>	Height of engine hood	mm	1,745
<b>L</b>	Height from floor to platform	mm	802
	Width of bucket	mm	875
	Walking speed (low/high)	km/h	4.1/5.8
	Platform slewing speed	min <sup>-1</sup>	11 - 13
	max. gradeability	°	30 (58%)
	max. hauling force	kN	60

## 2. Operating parameters

	Description	Unit	YC85-8
<b>A</b>	max. digging height	mm	7,140
<b>B</b>	max. dumping height	mm	5,100
<b>C</b>	max. digging depth	mm	4,160
<b>D</b>	max. digging radius	mm	6,630
<b>D1</b>	max. horizontal digging length	mm	6,463
<b>E</b>	max. digging height radius	mm	3,298
<b>F</b>	min. slewing radius	mm	2,201
<b>G</b>	max. depth of bulldozer	mm	415
<b>H</b>	max. height of bulldozer	mm	321
	max. digging force	kN	55