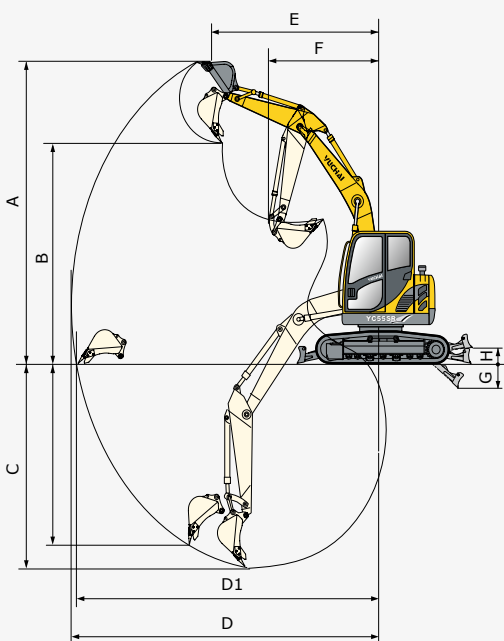
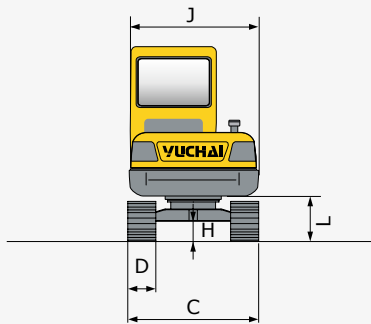
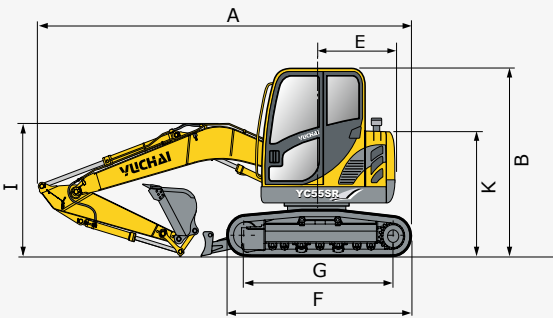


YC55SR



- ⊙ NACHI load sensing hydraulic system uses horsepower more efficiently
- ⊙ the proven low-noise engine boosts power and speed
- ⊙ standard equipment with steel crawler, optionally also available with rubber crawler
- ⊙ zero-tail design provides extra small slewing radius



1. Dimension parameters

	Description	Unit	YC55SR
	Operating weight	kg	5,750
	Standard bucket capacity	m ³	0.2
	Engine model	YANMAR 4TNV94L	
	Engine power	kW/min ⁻¹	36.9/2,200
	Operation hydraulic pressure	Mpa	24.5
A	Machine length	mm	5,715
B	Machine height	mm	2,715
C	Overall width	mm	2,000
D	Crawler width	mm	400
E	Platform slewing radius	mm	996
F	Crawler length	mm	2,608
G	Wheel base	mm	2,060
H	min. ground clearance	mm	325
I	Overall height	mm	1,650
J	Width of platform	mm	1,936
K	Height of engine hood	mm	1,600
L	Height from floor to platform	mm	680
	Width of bucket	mm	740
	Walking speed (low/high)	km/h	4.4/5.0
	Platform slewing speed	min ⁻¹	10.5 - 12
	max. gradeability	°	35 (70%)
	max. hauling force	kN	44
	Boom swing angle (left/right)	°	75/50

2. Operating parameters

	Description	Unit	YC55SR
A	max. digging height	mm	5,940
B	max. dumping height	mm	4,050
C	max. digging depth	mm	3,790
D	max. digging radius	mm	6,370
D1	max. horizontal digging length	mm	6,227
E	max. digging height radius	mm	6,370
F	min. slewing radius	mm	2,465
G	max. depth of bulldozer	mm	460
H	max. height of bulldozer	mm	350
	max. digging force	kN	37.5