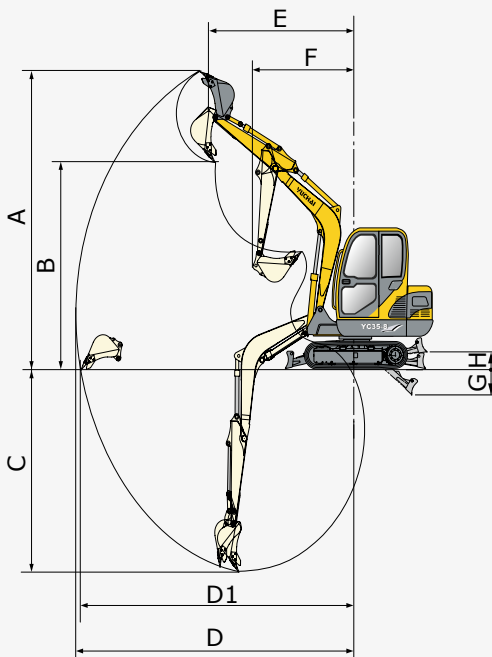
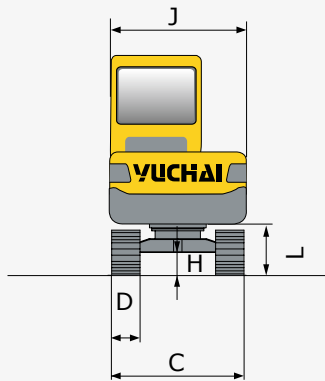
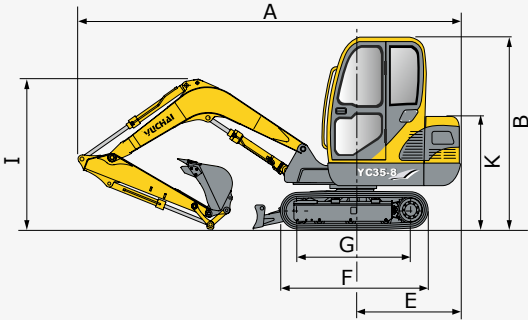


# YC35-8



- ⊙ three-pump hydraulic system makes combined operations smooth
- ⊙ the proven low-noise engine boosts power and speed

## 1. Dimension parameters

	Description	Unit	YC35-8
	Operating weight	kg	3,740
	Standard bucket capacity	m <sup>3</sup>	0.12
	Engine model	KUBOTA V2403	
	Engine power	kW/min <sup>-1</sup>	31.2/2,200
	Operation hydraulic pressure	Mpa	21
<b>A</b>	Machine length	mm	5,250
<b>B</b>	Machine height	mm	2,470
<b>C</b>	Overall width	mm	1,518
<b>D</b>	Crawler width	mm	300 (rubber crawler)
<b>E</b>	Platform slewing radius	mm	1,515
<b>F</b>	Crawler length	mm	2,100
<b>G</b>	Wheel base	mm	1,620
<b>H</b>	min. ground clearance	mm	302
<b>I</b>	Overall height	mm	1,698
<b>J</b>	Width of platform	mm	1,494
<b>K</b>	Height of engine hood	mm	1,385
<b>L</b>	Height from floor to platform	mm	570
	Width of bucket	mm	630
	Walking speed (low/high)	km/h	3.4/4.8
	Platform slewing speed	min <sup>-1</sup>	11 - 13
	max. gradeability	°	30 (58%)
	max. hauling force	kN	29
	Boom swing angle (left/right)	°	80/50

## 2. Operating parameters

	Description	Unit	YC35-8
<b>A</b>	max. digging height	mm	5,200
<b>B</b>	max. dumping height	mm	3,680
<b>C</b>	max. digging depth	mm	3,535
<b>D</b>	max. digging radius	mm	5,590
<b>D1</b>	max. horizontal digging length	mm	5,520
<b>E</b>	max. digging height radius	mm	3,265
<b>F</b>	min. slewing radius	mm	1,990
<b>G</b>	max. depth of bulldozer	mm	433
<b>H</b>	max. height of bulldozer	mm	250
	max. digging force	kN	22.2