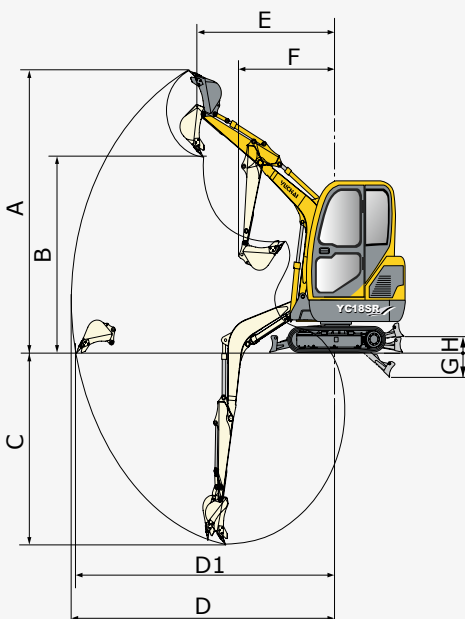
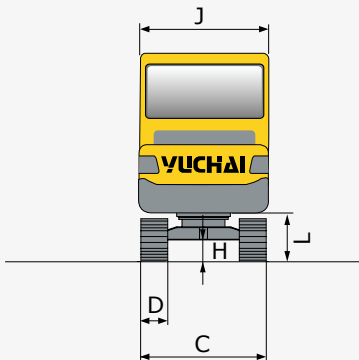
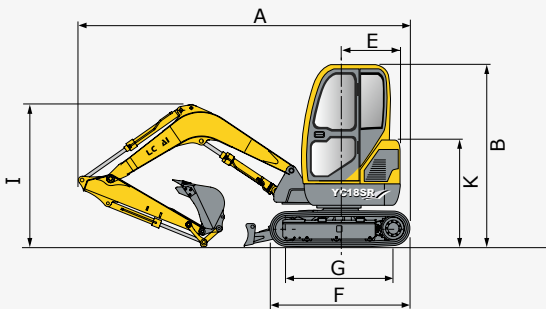


# YC18SR



- ⊙ equipped with adjustable chassis to improve working stability
- ⊙ zero-tail design provides extra small slewing radius
- ⊙ optionally available: cabin or 2-pillars canopy



## 1. Dimension parameters

	Description	Unit	YC18SR
	Operating weight	kg	Canopy 1,750 Cabin 1,850
	Standard bucket capacity	m <sup>3</sup>	0.05
	Engine model	PERKINS 403C-11	
	Engine power	kW/min <sup>-1</sup>	14.7/2,200
	Operation hydraulic pressure	Mpa	20.6
<b>A</b>	Machine length	mm	3,835
<b>B</b>	Machine height	mm	Canopy 2,285 Cabin 2,350
<b>C</b>	Overall width	mm	1,080 - 1,400
<b>D</b>	Crawler width	mm	230 (rubber crawler)
<b>E</b>	Platform slewing radius	mm	700
<b>F</b>	Crawler length	mm	1,628
<b>G</b>	Wheel base	mm	1,261
<b>H</b>	min. ground clearance	mm	198
<b>I</b>	Overall height	mm	1,214
<b>J</b>	Width of platform	mm	1,060
<b>K</b>	Height of engine hood	mm	1,265
<b>L</b>	Height from floor to platform	mm	478
	Width of bucket	mm	470
	Walking speed (low/high)	km/h	1.7/3.0
	Platform slewing speed	min <sup>-1</sup>	11
	max. gradeability	°	30 (58%)
	max. hauling force	kN	14.6
	Boom swing angle (left/right)	°	50/70

## 2. Operating parameters

	Description	Unit	YC18SR
<b>A</b>	max. digging height	mm	3,360
<b>B</b>	max. dumping height	mm	2,330
<b>C</b>	max. digging depth	mm	2,150
<b>D</b>	max. digging radius	mm	4,060
<b>D1</b>	max. horizontal digging length	mm	4,180
<b>E</b>	max. digging height radius	mm	2,765
<b>F</b>	min. slewing radius	mm	1,860
<b>G</b>	max. depth of bulldozer	mm	163
<b>H</b>	max. height of bulldozer	mm	247
	max. digging force	kN	14.3