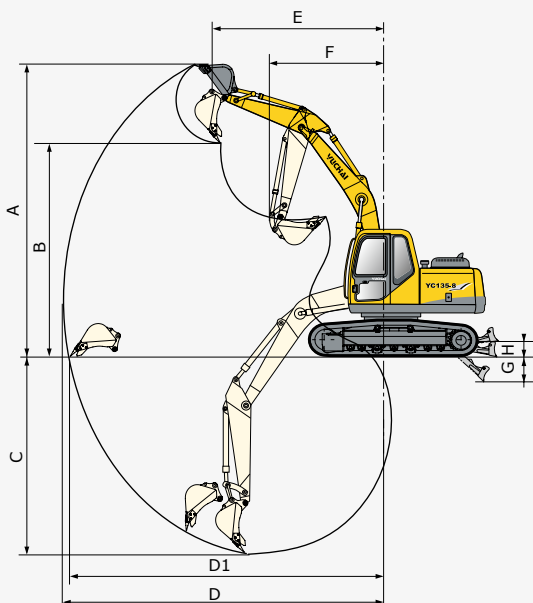
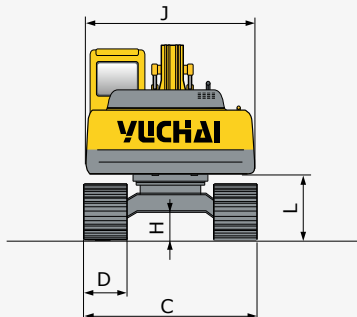
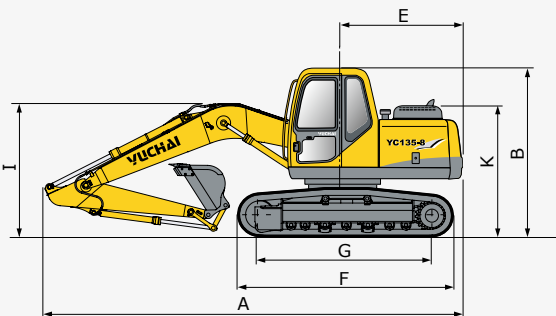


# YC135-8

- ⊙ Hiest hydraulic system works reliably and efficiently
- ⊙ the proven low-noise engine boosts power and speed
- ⊙ main parts certified by CAE analysis provide solid and reliable structure



## 1. Dimension parameters

	Description	Unit	YC135-8
	Operating weight	kg	13,300
	Standard bucket capacity	m <sup>3</sup>	0.52
	Engine model	CUMMINS QSB4.5	
	Engine power	kW/min <sup>-1</sup>	82/2,200
	Operation hydraulic pressure	Mpa	31.9
<b>A</b>	Machine length	mm	7,745
<b>B</b>	Machine height	mm	2,720
<b>C</b>	Overall width	mm	2,600
<b>D</b>	Crawler width	mm	600 (steel crawler)
<b>E</b>	Platform slewing radius	mm	2,292
<b>F</b>	Crawler length	mm	3,696
<b>G</b>	Wheel base	mm	2,950
<b>H</b>	min. ground clearance	mm	464.5
<b>I</b>	Overall height	mm	2,755
<b>J</b>	Width of platform	mm	2,410
<b>K</b>	Height of engine hood	mm	2,127
<b>L</b>	Height from floor to platform	mm	913
	Width of bucket	mm	1,035
	Walking speed (low/high)	km/h	4.3/5.8
	Platform slewing speed	min <sup>-1</sup>	11 - 13
	max. gradeability	°	30 (58%)
	max. hauling force	kN	100

## 2. Operating parameters

	Description	Unit	YC135-8
<b>A</b>	max. digging height	mm	8,290
<b>B</b>	max. dumping height	mm	5,900
<b>C</b>	max. digging depth	mm	5,245
<b>D</b>	max. digging radius	mm	8,050
<b>D1</b>	max. horizontal digging length	mm	7,924
<b>E</b>	max. digging height radius	mm	4,110
<b>F</b>	min. slewing radius	mm	2,642
<b>G</b>	max. depth of bulldozer	mm	471
<b>H</b>	max. height of bulldozer	mm	473
	max. digging force	kN	84.9