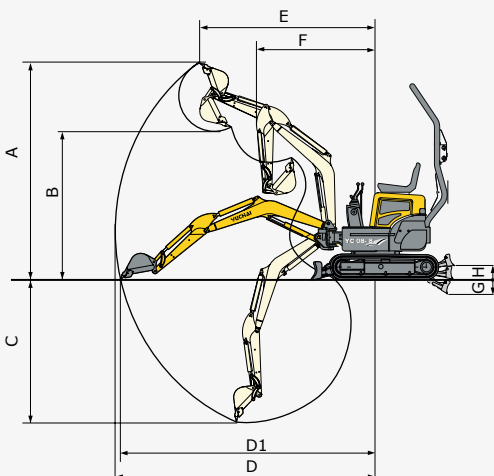
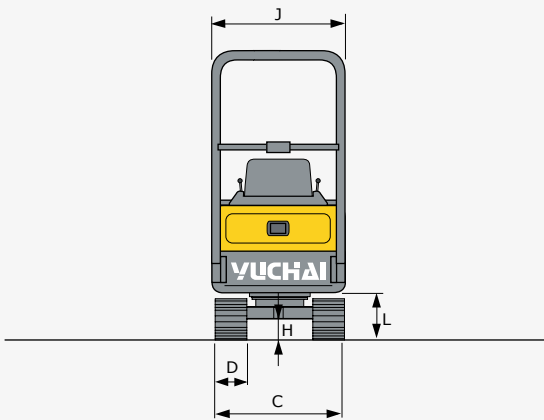
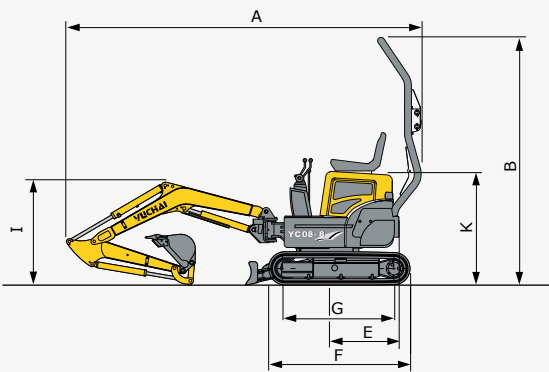


YC08-8

- ⊙ equipped with adjustable chassis to improve working stability
- ⊙ wide-open engine cover for higher maintainability
- ⊙ operator-oriented design enables comfortable operating



1. Dimension parameters

	Description	Unit	YC08-8
	Operating weight	kg	1,030
	Standard bucket capacity	m ³	0.02
	Engine model	YANMAR 2TNV70	
	Engine power	kW/min ⁻¹	7.5/2,400
	Operation hydraulic pressure	Mpa	16
A	Machine length	mm	2,800
B	Machine height	mm	2,300
C	Overall width	mm	930 - 1,130
D	Crawler width	mm	180 (rubber crawler)
E	Platform slewing radius	mm	702
F	Crawler length	mm	1,234
G	Wheel base	mm	895
H	min. ground clearance	mm	155
I	Overall height	mm	995
J	Width of platform	mm	730
K	Height of engine hood	mm	1,080
L	Height from floor to platform	mm	422
	Width of bucket	mm	350
	Walking speed (low/high)	km/h	1.6/2.6
	Platform slewing speed	min ⁻¹	9
	max. gradeability	°	30 (58%)
	max. hauling force	kN	7.6
	Boom swing angle (left/right)	°	75/50

2. Operating parameters

	Description	Unit	YC08-8
A	max. digging height	mm	2,737
B	max. dumping height	mm	1,951
C	max. digging depth	mm	1,415
D	max. digging radius	mm	2,829
D1	max. horizontal digging length	mm	2,726
E	max. digging height radius	mm	1,527
F	min. slewing radius	mm	1,248
G	max. depth of bulldozer	mm	231
H	max. height of bulldozer	mm	267
	max. digging force	kN	9.3